

# ArcelorMittal Fibres

Reinforced concrete solutions

Advanced reinforced concrete  
for the precast industry



PRECAST



ArcelorMittal



ArcelorMittal

ArcelorMittal Fibres is working with precast manufacturers around the world to provide superior concrete reinforcement solutions. Our partnerships are enabling **high performance and durable precast elements** to be produced more **efficiently**, more **simply**, more **safely** and more **sustainably**.

ArcelorMittal Fibres, part of the ArcelorMittal Group – the largest steel company in the world, is a global leader in providing steel fibre reinforced concrete solutions.

For more than three decades, ArcelorMittal Fibres has been working in partnership with contractors and precast manufacturers around the world to create optimised steel fibre reinforced concrete solutions.



## STEEL FIBRES FOR PRECAST APPLICATIONS

From our three state-of-the-art production facilities in the UK, Luxembourg and Poland, we develop, manufacture and supply high quality steel fibres to precast manufacturers around the world.

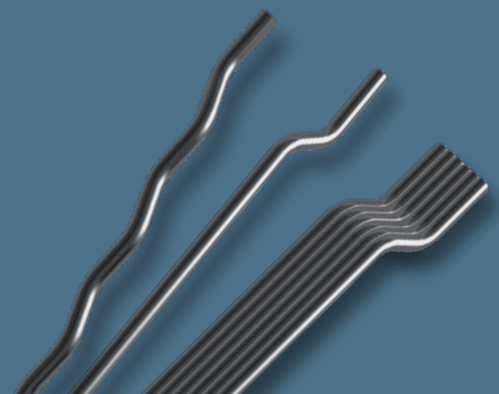
ArcelorMittal steel fibres can be used to replace traditional passive reinforcement. Our fibres can be used in combination with other reinforcement methods, such as rebar or prestressed cables.

ArcelorMittal Fibres uses bright and galvanised steel wires to create very high, and ultra high tensile strength fibres enabling manufacturers of precast elements to deliver high and very high concrete compressive strength.

Our Engineering team will advise on the use of steel fibre reinforced concrete. They will look at the specific requirements of the precast element in detail and propose an optimised technical solution.

### OUR STEEL FIBRES CAN BE USED WIDELY ACROSS THE PRECAST INDUSTRY:

Manholes | Pipes | Canals | Water tanks |  
Electrical cabins | Barriers | Walls |  
Shaft and tunnel segments



## Supporting you from start to finish. The right advice. The right fibres. The right solutions.

ArcelorMittal Fibres do much more than manufacture and supply a comprehensive range of high quality steel fibres.

We support you to ensure the success of your project from start to finish.

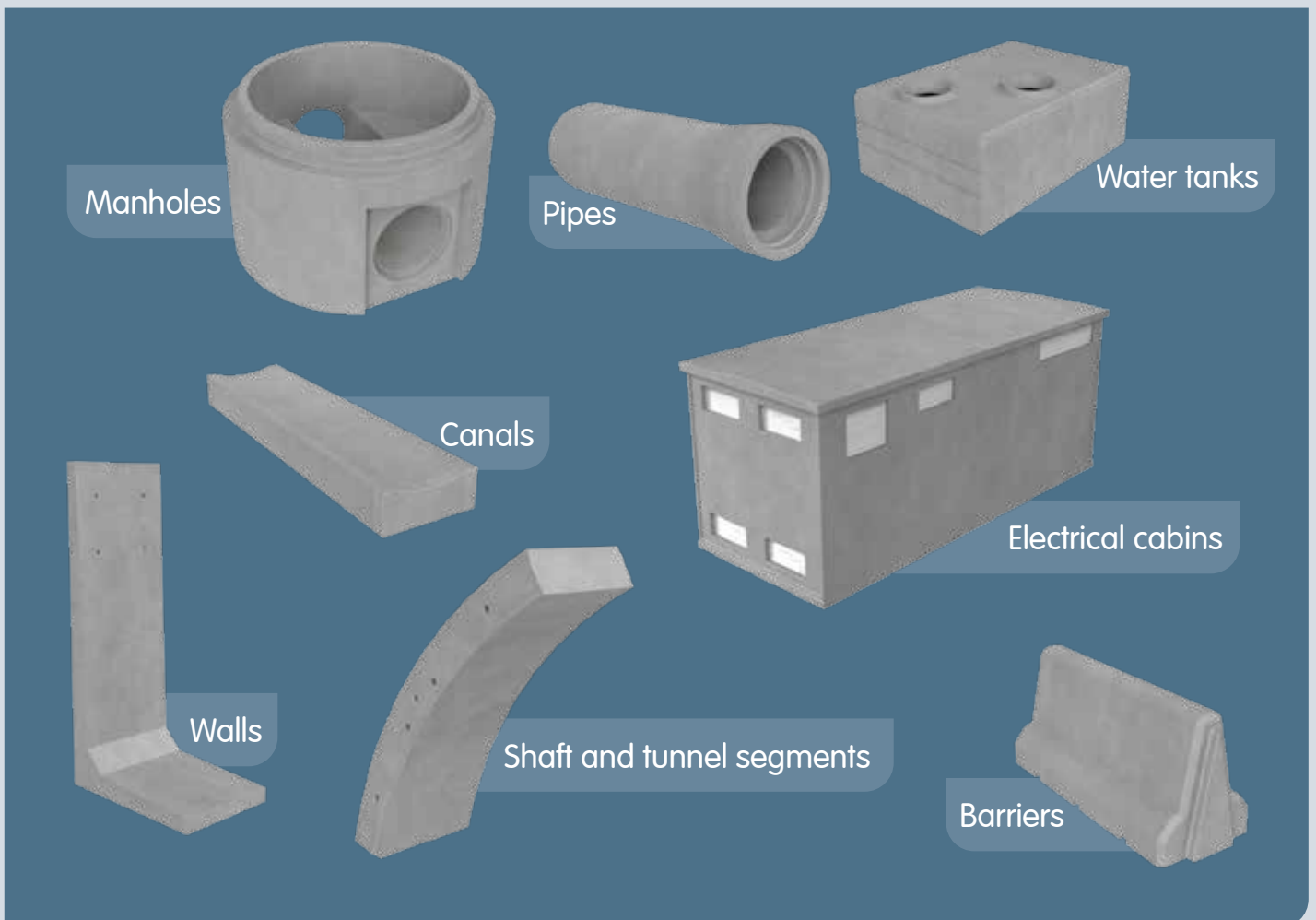
We offer expertise on:

- design and calculation of steel fibre reinforced precast elements
- setting up your project specification
- the most appropriate fibre type to comply with the specification
- optimum dosage rates to guarantee performance
- concrete mix design optimisation
- the supervision of performance tests
- dosing and mixing



Our team of experienced Engineers and Sales Specialists will give you all the support your project needs from conception to project completion.

We are here to support and assist you at every stage.



Manholes

Pipes

Water tanks

Canals

Electrical cabins

Walls

Shaft and tunnel segments

Barriers



"In our aim to break into the market with a totally innovative solution for our precast concrete water tanks, we found ArcelorMittal Fibres to be the right partner for us, giving us the support we needed.

Despite a wall thickness of just 45mm, our C-90 concrete water tanks, reinforced with ArcelorMittal premium fibres, are BENOR certified and allow for B125 traffic loads."



Our know-how and large experience with steel fibre reinforced concrete together with our continuous R&D efforts to produce the best performing steel fibres has allowed us to develop optimum fibre qualities for precast applications.

We manufacture a specific range of steel fibres for the reinforcement of precast concrete structures.

ArcelorMittal steel fibres are manufactured using our own fully traceable drawn wire. Our steel fibres are offered in high, very high and ultra high tensile strengths to ensure that they meet the very demanding and varied requirements of your precast projects.

## THE RIGHT FIBRE QUALITY AND TENSILE STRENGTH FOR EACH APPLICATION

WIRE QUALITIES	STEEL GRADE	RANGE OF TENSILE STRENGTHS - N/mm <sup>2</sup>
High Tensile	Standard	1150 to 1450 N/mm <sup>2</sup>
Very High Tensile	+ PREMIUM	1450 to 1850 N/mm <sup>2</sup>
Ultra High Tensile	++ PREMIUM	1850 to 2400 N/mm <sup>2</sup>

>1000    1100    1200    1300    1400    1500    1600    1700    1800    1900    2000    2500

Whether you are an Engineer or a Contractor, contact us to learn about the benefits and advantages of our premium product range.

Our Engineers and Sales Specialists will advise you on the optimum steel fibre solution for your specific project.

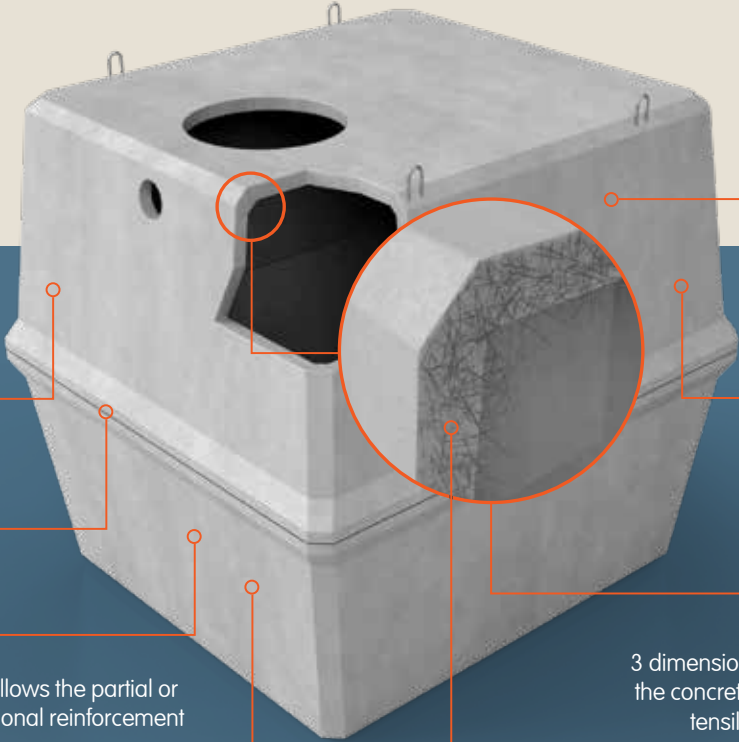


Conforms to:  
ASTM A820 / A820M-04 type 1



# ArcelorMittal Fibres precast solutions deliver improved quality, durability, sustainability and value for money.

## Quality and durability



Elimination of defects caused by incorrect positioning of traditional reinforcement

Discontinuous reinforcement – improved corrosion resistance

Improved concrete ductility – optimised thickness

The load bearing resistance allows the partial or complete substitution of traditional reinforcement

Tighter aggregate interlock

Better crack control and reduced surface cracking

Minimal damage to edges and corners due to even distribution of fibres to the edges

3 dimensional distribution of fibres in the concrete matrix provides reliable tensile strength in all directions

Specifications for water tank illustration, courtesy of Eloy Water, specialists in waste water treatment tanks.

## Time and cost savings

- Allows for easy concreting
- Elimination of traditional reinforcement
- Simpler and faster production process
- Higher productivity and efficiency
- Material savings

## Sustainability

- The use of steel fibre reinforcement enables precast solutions to be designed and manufactured with lower embodied CO<sub>2</sub> and a reduced carbon footprint, contributing towards a greener, more sustainable future.

## Why Choose ArcelorMittal Fibres?



Expert support



Comprehensive product range



Fibre performance



Guaranteed quality



Packaging options



Your reliable project partner



# The world is building on our expertise.

ArcelorMittal Fibres operates internationally.  
We provide steel fibre reinforced concrete  
solutions for the precast industry, helping to create  
a safer, more sustainable and better built world.

## Let's talk PRECAST

Contact  
[fibresupport@arcelormittal.com](mailto:fibresupport@arcelormittal.com)



ArcelorMittal Fibres  
ArcelorMittal Bissen & Bettembourg, Route de Finsterthal, L-7769 Bissen

Telephone +352 835 772 1  
Fax +352 835 772 209

[arcelormittal.com/steelfibres](http://arcelormittal.com/steelfibres)

