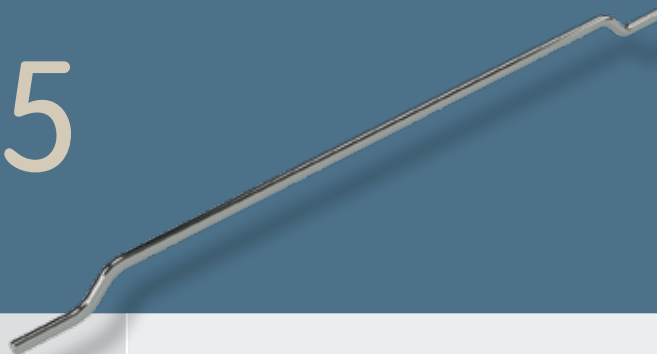
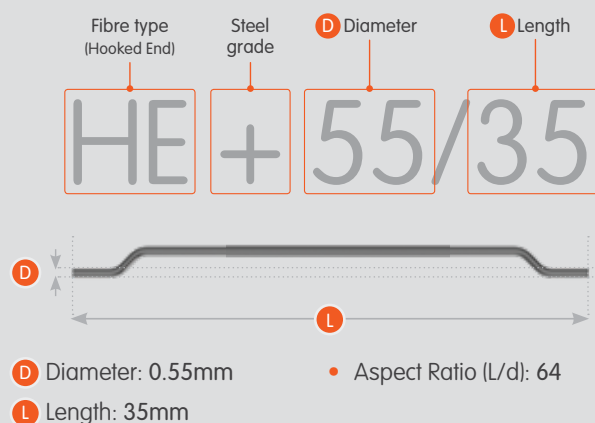


# HE+ 55/35

The hooked end steel fibre



## Fibre specification >

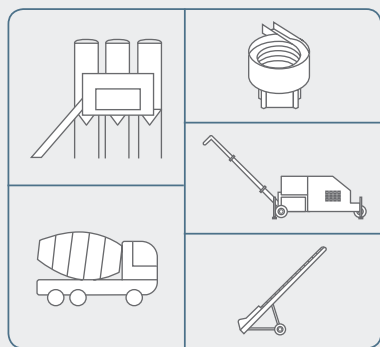


## Material characteristics >

- Tensile strength of drawn wire: 1800 N/mm<sup>2</sup>
- Number of fibres per kg: 15300

Illustrations not to scale.

## Dosing and mixing >



- Introduce fibres with sand and aggregates
- Add fibres to fresh concrete
- Onsite support and technical advice on mixing and dosing equipment
- Wide range of solutions with automatic dosing equipment, blast-machines and conveyor belts available

## Packaging options >



25kg boxes  
Nett weight 25kg



48 x 25kg boxes/pallet  
Nett weight 1200kg



2 x 500kg big bags/pallet  
Nett weight 1000kg

## Safety and storage >



Head and eye protection and gloves must be used at all times.



Keep dry



No stacking

## Technical and engineering support >

ArcelorMittal will advise and provide support to your construction project.

We provide expertise on:

- setting up your project specification
- the most appropriate fibre type to comply with the specification
- optimum dosage rates to guarantee performance
- concrete mix design optimisation
- the supervision of performance tests
- on-site support and advice on dosing and mixing
- the installation of dosing equipment.

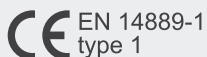
We provide all the support your project requires, from the early planning stages through to project completion.

We are here to support and assist you at every stage.

## Contact us >

[fibresupport@arcelormittal.com](mailto:fibresupport@arcelormittal.com)

## Certification >



Conforms to:  
ASTM A820 / A820M-04 type 1



All information in this promotional material illustrates products and services in a non-final way and invites further technical or commercial explanation. This is not contractual. © ArcelorMittal November 2017.

THE WORLD'S LARGEST STEEL MANUFACTURER  
AND PRODUCER OF ARCELORMITTAL FIBRES

ArcelorMittal Fibres, ArcelorMittal Bissen & Bettembourg, Route de Finsterthal, L-7769 Bissen  
Telephone: +352 835 772 1 | [www.arcelormittal.com/steelfibres](http://www.arcelormittal.com/steelfibres)



ArcelorMittal