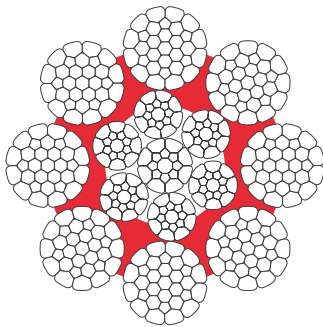


8xK31WS-EPIWRC(K) / RCN.11

HP8P/8xK31WS

8 outer strands, plastic impregnation

HP8P/8xK31WS has 8 outer strands with plastic impregnation, HP8P is for guided systems only and can be used for heavy duty applications including steel or paper mill cranes, casting cranes, harbour container cranes and mineral gantry cranes. HP8P can be used for twin hoist systems with one right hand lay and one left hand lay rope.



HP8P/8xK31WS/2018/v1.0

Diameter		Section	Mass	Minimum breaking load	
mm	inch	mm ²	kg/m	kN 1960 MPa	kN 2160 MPa
34	1-3/8	619.4	5.56	1030	1051
35	-	669.3	6.09	1091	1114
36	-	708.1	6.44	1161	1186
38	1-1/2	789.0	7.18	1294	1321
40	-	874.2	7.96	1434	1464
41.3	-	932.0	8.48	1529	1561
42	1-5/8	960.2	8.74	1578	1611
44	1-3/4	1053.8	9.60	1728	1765
44.5	-	1077.9	9.82	1768	1805
46	-	1151.8	10.49	1889	1929
48	1-7/8	1254.1	11.42	2057	2100
50	2	1342.3	12.15	2223	2269
51	-	1396.5	12.64	2303	2351
52	-	1451.8	13.14	2394	2444
54	2-1/8	1565.6	14.17	2582	-
56	-	1683.7	15.24	2776	-
58	2-1/4	1806.2	16.35	2978	-
			f - Fill Factor	k - Spinning Loss Factor	
			0.695	0.839	0.777

Please note: Other diameters with other tolerances than those shown here can be made on studies.

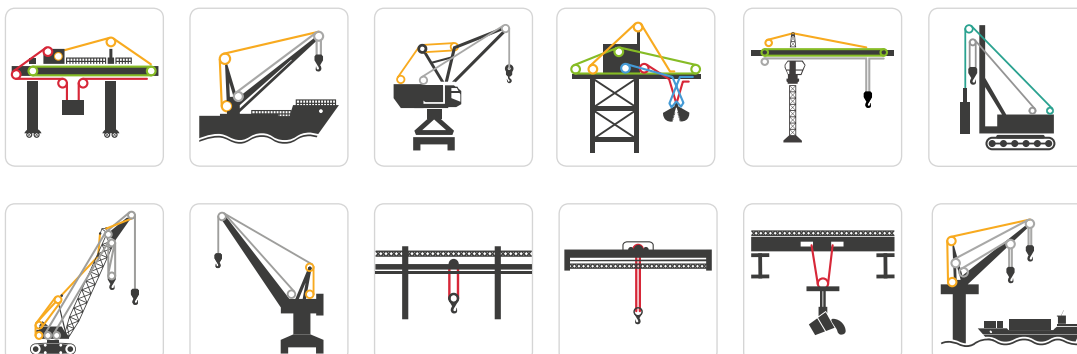
⚠ Never use with swivel

Indicative values - Tolerance on diameter: ArcelorMittal design (0; +4%)

Features:

- › 8 outer strands
- › Plastic impregnation of the core between outer strands improving the rope behaviour in case of heavy duty applications (fleet angles, repetitive lifting cycles)
- › Bright or galvanised steel wires

Applications



KEY

- Hoist
- Trolley
- Boom Luffing
- Grab
- Auxiliary Hoist
- Pipe Handling

HP8P wire rope properties

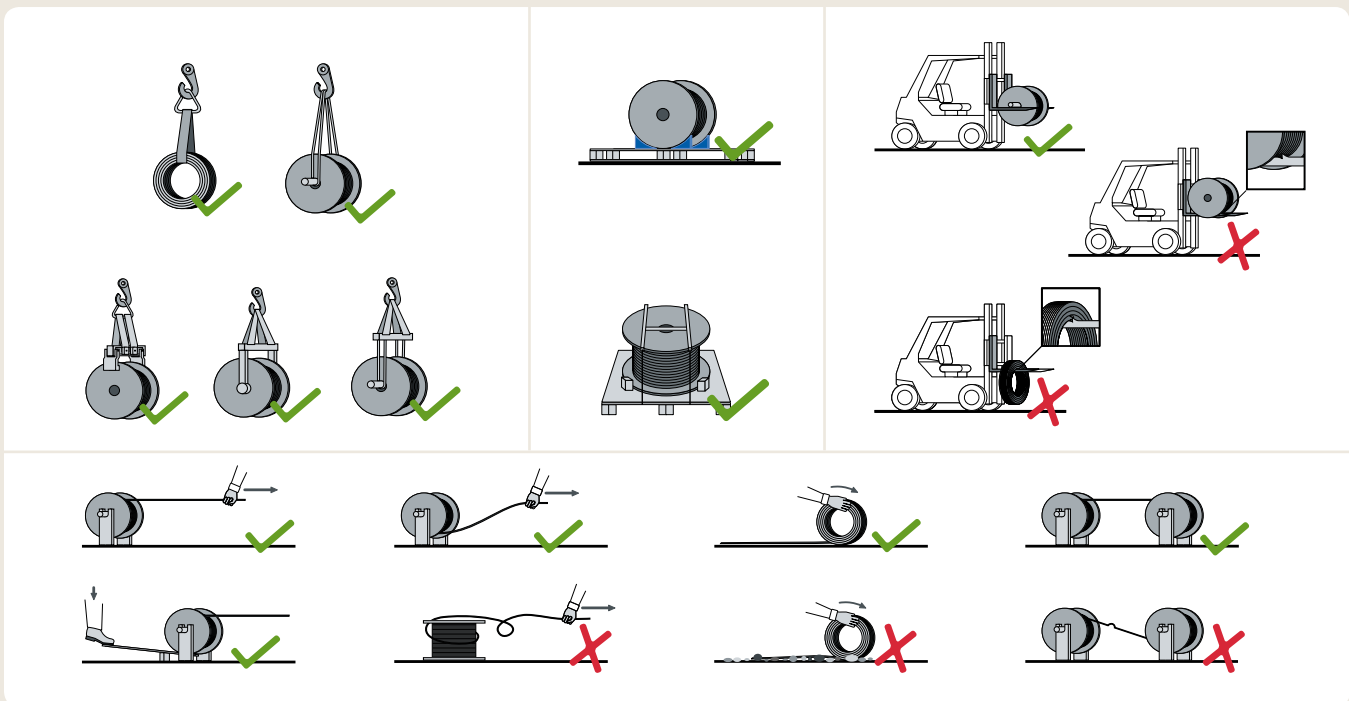
 <p>Lubrication</p> <p>Extends the life and increases rope performance.</p>	 <p>Bending Fatigue Resistance</p> <p>Ropes designed to cope with bending repeatedly under stress.</p>	 <p>Plastic Impregnation</p> <p>Thermoplastic sealing of inner core reducing friction.</p>	 <p>Compaction</p> <p>Smoother outer surface with increased strength and reduced wear.</p>	 <p>High Breaking Resistance</p> <p>Ropes featuring a high breaking force.</p>	 <p>Resistance to Crushing</p> <p>Ropes designed to withstand or resist external forces.</p>	 <p>Regular Lay Rope</p> <p>Less core sensitivity with a non-rotational property.</p>	 <p>Lang Lay Rope</p> <p>Increased wear resistance and flexibility.</p>
---	--	--	--	--	---	---	---

Storage and maintenance

The rope must be adequately maintained and regularly lubricated, as often as it is necessary, but at least when the rope works in extreme conditions and before/after prolonged inactivity. The lubricant must be compatible with the original grease. Before re-lubrication, the wire rope must be dry and cleaned by scraping. Cleaning by cloth, cryogenic spray, high pressure cleaner and solvents are forbidden.

When stored, the rope should be kept in a dry and ventilated environment with no direct contact with the floor and an air flow under the reel. Visual inspection is necessary before the use of a stored wire rope. In case of doubt of the quality of the wire rope, we can help you to find and make additional inspection analysis.

EWRIS handling recommendations



At all times, contact of the rope with any metallic pieces should be avoided to prevent early damage.



All information in this promotional material shall illustrate products and services in a non final way and invite to further technical or commercial explanation; they are not contractual. © ArcelorMittal 2018.

High performance **Hoisting Ropes** for the most demanding environments

ArcelorMittal ROPES, 25 Avenue de Lyon, BP 38, F-01002 Bourg-en-Bresse Cedex
 Telephone: +33 4 74 32 82 12 | Fax: +33 4 74 32 81 05 | Email: lifting.ropes@arcelormittal.com
www.arcelormittal.com/wireropes

ArcelorMittal ROPES
 ENGINEERING EXCELLENCE