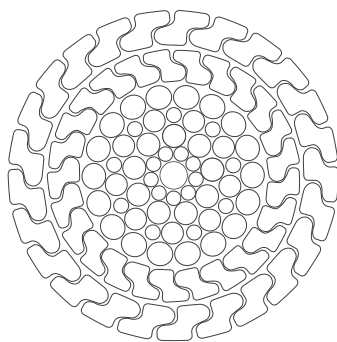


Full Lock Coil, Z-Lock

A fatigue resistant track rope for aerial transportation and open pit mining.

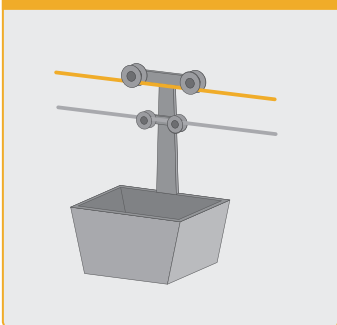
Full Lock Coil, Z-Lock for aerial transportation and open pit mining is a high strength, low stretch, stable, non-rotating rope. Engineered to ensure the best resistance to wear, the high fill factor of the core guarantees that the rope will remain round under load, preventing abnormal wear and ensuring smooth rolling and transportation of carriers.



Advantages:

- › Precision engineering
- › High fatigue performance
- › Long service life
- › Cost effective

Applications:



FLC Z-LOCK/2018/v1.0

Diameter		Weight		Minimum breaking load
mm	inch	kg/m	lbs/ft	kN
				1570 MPa
28	-	4.65	3.12	714
29	1" 1/8	4.94	3.32	762
30	-	5.24	3.52	813
31	-	5.57	3.74	865
32	1" 1/4	5.91	3.97	919
33	-	6.26	4.21	975
34	-	6.64	4.46	1034
35	1" 3/8	7.03	4.72	1094
36	-	7.43	4.99	1156
37	-	7.85	5.27	1220
38	1" 1/2	8.28	5.56	1286
39	-	8.73	5.87	1354
40	-	9.19	6.17	1424
41	1" 5/8	9.66	6.49	1496
42	-	10.15	6.82	1570
43	-	10.65	7.16	1645
44	1" 3/4	11.16	7.50	1722
45	-	11.69	7.85	1801
46	-	12.22	8.21	1882
47	-	12.77	8.58	1965
48	1" 7/8	13.32	8.95	2049
49	-	13.89	9.33	2135
50	-	14.47	9.72	2223
51	2"	15.06	10.12	2312
52	-	15.65	10.52	2403
53	-	16.25	10.92	2496
54	2" 1/8	16.87	11.33	2590
55	-	17.49	11.75	2686
56	-	18.12	12.17	2783
57	2" 1/4	18.75	12.60	2882
58	-	19.39	13.03	2983
59	-	20.04	13.47	3085
60	2" 3/8	20.69	13.91	3188
61	-	21.35	14.35	3294
62	-	22.02	14.80	3400
63	-	22.69	15.25	3508
64	2" 1/2	23.36	15.70	3617
65	-	24.04	16.15	3728
66	-	24.72	16.61	3840
67	2" 5/8	25.41	17.07	3954
68	-	26.10	17.54	4068
69	-	26.79	18.00	4184
70	2" 3/4	27.48	18.46	4302

Full Lock Coil, Z-Lock wire rope properties

Standard Properties



Stretch Resistant

On Demand



Bright Wire



Galvanised Wire



Electromagnetic Inspection



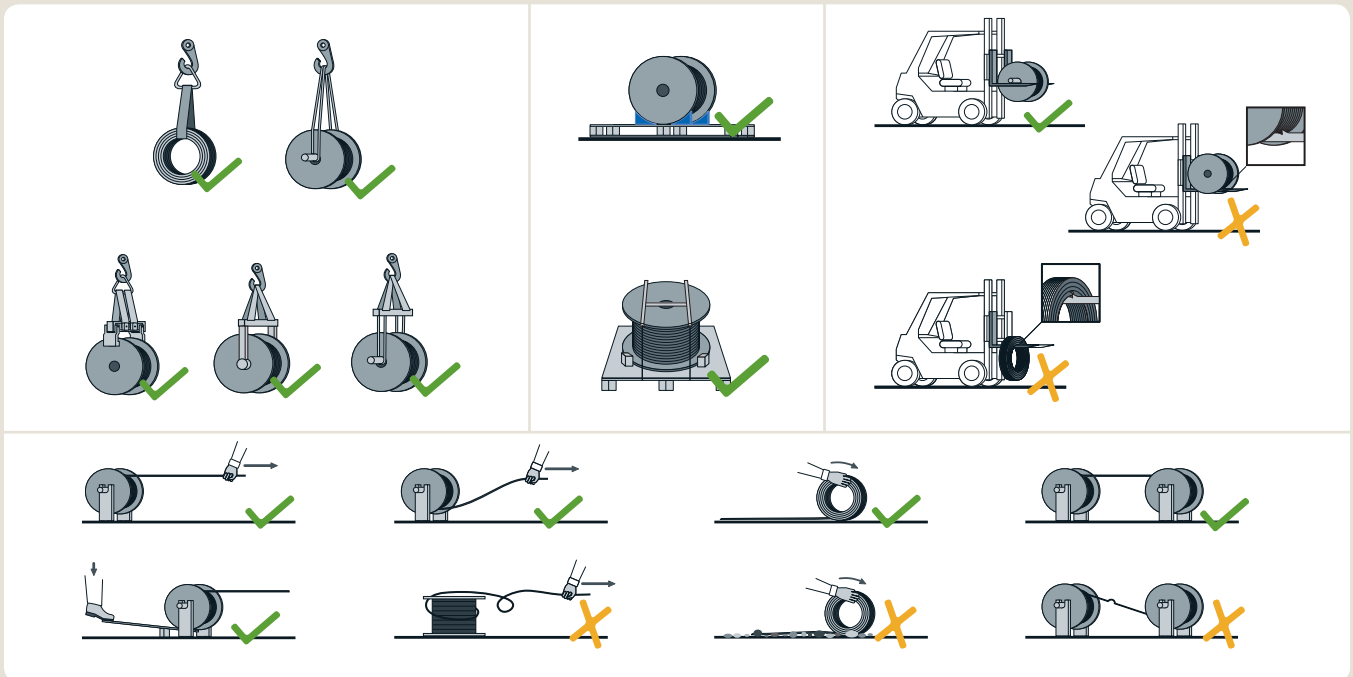
Right/Left Hand Lay

Storage and maintenance

The rope must be adequately maintained and regularly lubricated, as often as it is necessary, but at least when the rope works in extreme conditions and before/after prolonged inactivity. The lubricant must be compatible with the original grease. Before re-lubrication, the wire rope must be dry and cleaned by scraping. Cleaning by cloth, cryogenic spray, high pressure cleaner and solvents are forbidden.

When stored, the rope should be kept in a dry and ventilated environment with no direct contact with the floor and an air flow under the reel. Visual inspection is necessary before the use of a stored wire rope. In case of doubt of the quality of the wire rope, we can help you to find and make additional inspection analysis.

EWRIS handling recommendations



At all times, contact of the rope with any metallic pieces should be avoided to prevent early damage.



EWRIS
European Federation of Steel Wire Rope Industries

© EWRIS 2010



All information in this promotional material shall illustrate products and services in a non final way and invite to further technical or commercial explanation; they are not contractual. © ArcelorMittal 2018.

High performance **Mining Ropes**
for the most demanding environments

ArcelorMittal ROPES, 25 Avenue de Lyon, BP 38, F-01002 Bourg-en-Bresse Cedex
Telephone: +33 4 74 32 81 96 | Fax: +33 4 74 32 81 05 | Email: mining.ropes@arcelormittal.com

www.arcelormittal.com/wireropes

ArcelorMittal ROPES
ENGINEERING EXCELLENCE